

*BLOCKS
AND
DECK EQUIPMENT*

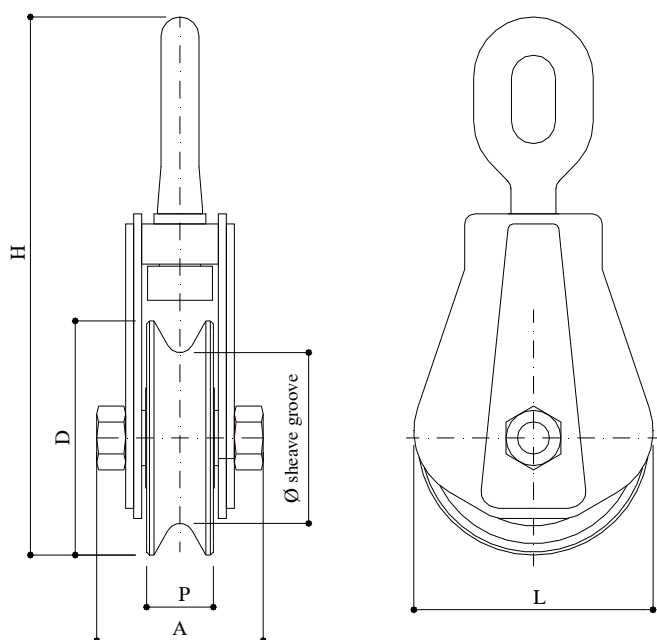
CONTENTS

<i>DENOMINATION</i>	<i>SERIES</i>
<i>Tackle Blocks</i>	<i>LA</i>
<i>Double Tackle Blocks</i>	<i>LA D</i>
<i>Tackle Blocks with Becket</i>	<i>LA-A</i>
<i>Double Tackle Blocks with Becket</i>	<i>LAD-A</i>
<i>Tackle Blocks Stainless</i>	<i>LI</i>
<i>Return Tackle Blocks</i>	<i>RE</i>
<i>Fairlead Tackle Blocks (horizontal)</i>	<i>TL</i>
<i>Fairlead Tackle Blocks (vertical)</i>	<i>AL</i>
<i>Trawl Blocks</i>	<i>PC</i>
<i>Trawl Blocks open</i>	<i>PA</i>
<i>Hinge Suspension</i>	<i>SA</i>
<i>Guiding Frame</i>	<i>TM</i>
<i>Guiding Base</i>	<i>TG</i>
<i>Fairlead Trawl Blocks</i>	<i>AG</i>
<i>Snatch Outrigger Blocks</i>	<i>DT</i>
<i>Snatch Blocks</i>	<i>DR</i>
<i>Horizontal Roller</i>	<i>RH</i>
<i>Wire Reel</i>	<i>CC</i>
<i>Outrigger</i>	<i>TA</i>
<i>Towing Hook</i>	<i>GR</i>
<i>Rollers</i>	<i>RO-DIN 81906</i>
<i>Rollers</i>	<i>RO-NS 2585</i>
<i>Fairleads</i>	<i>FA</i>



TACKLE BLOCKS

Series: LA



**Mounted on bearing.*

**Solid sheave.*



For orders, specify:

- Denomination
- Series
- Size
- Swivel head type

E.g.: Tackle block LA 40 CA

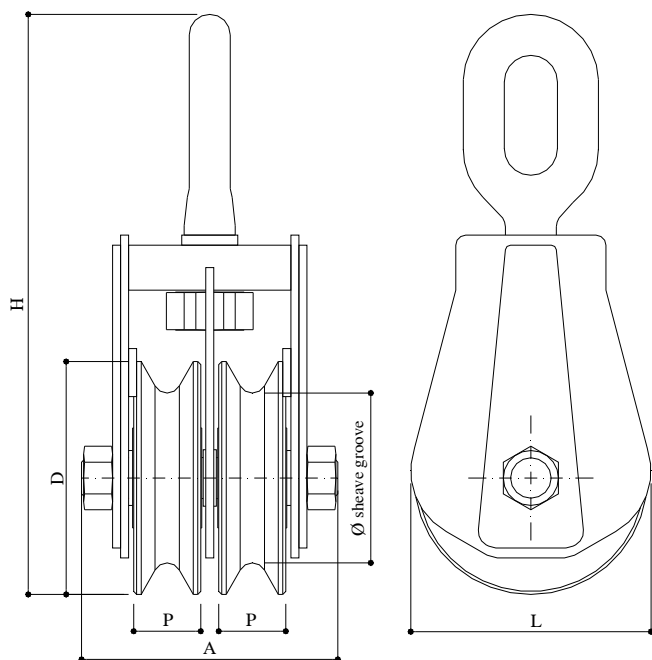
SWIVEL HEAD TYPE	
CA	Oval eye
CC	Round eye
H	Fork
G	Hook

Size	S.W.L. TN.	Load on beam TN.	Dimensions						
			D (Ø of the sheave)	Ø sheave groove	Ø Max. wire	A	H	L	P
10	1	2	130	96	12	114	324	135	56
20	2	4	170	130	16	141	408	179	58
30	4	8	233	170	20	167	536	240	69
40	8	16	280	230	26	197	661	285	80
50	12	24	360	306	32	240	780	365	98



DOUBLE TACKLE BLOCKS

Series: LA D



*Mounted on bearing.

*Solid sheave.



For orders, specify:

- Denomination
- Series
- Size
- Swivel head type

E.g.: Tackle block LA D 40 CA

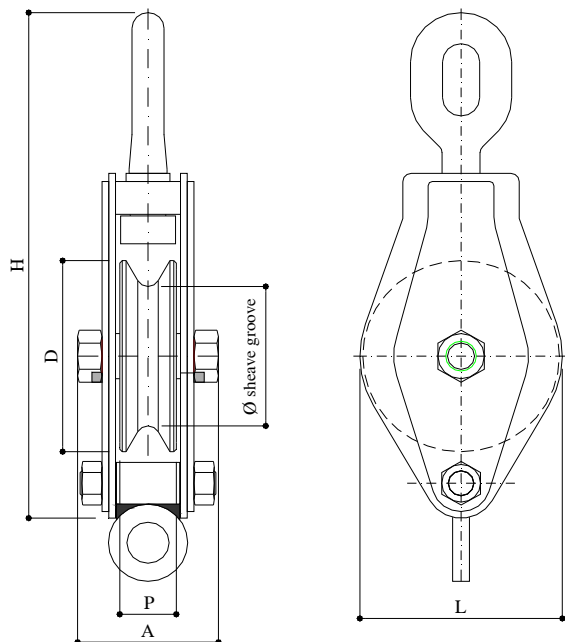
<u>SWIVEL HEAD TYPE</u>	
CA	Oval eye
CC	Round eye
H	Fork
G	Hook

Size	S.W.L. TN.	Load on beam TN.	Dimensions						
			D (Ø of the sheave)	Ø sheave groove	Ø Max. wire	A	H	L	P
10	1	4	130	96	12	180	372	135	56
20	2	8	170	130	16	214	406	179	58
30	4	16	233	170	20	256	580	240	69
40	6	25	280	230	26	297	705	285	80
50	10	40	360	306	32	356	808	365	81



TACKLE BLOCKS WITH BECKET

Series: LA A



*Mounted on bearing.

*Solid sheave.



For orders, specify:

- Denomination
- Series
- Size
- Swivel head type

E.g.: Tackle block LA A 40 CA

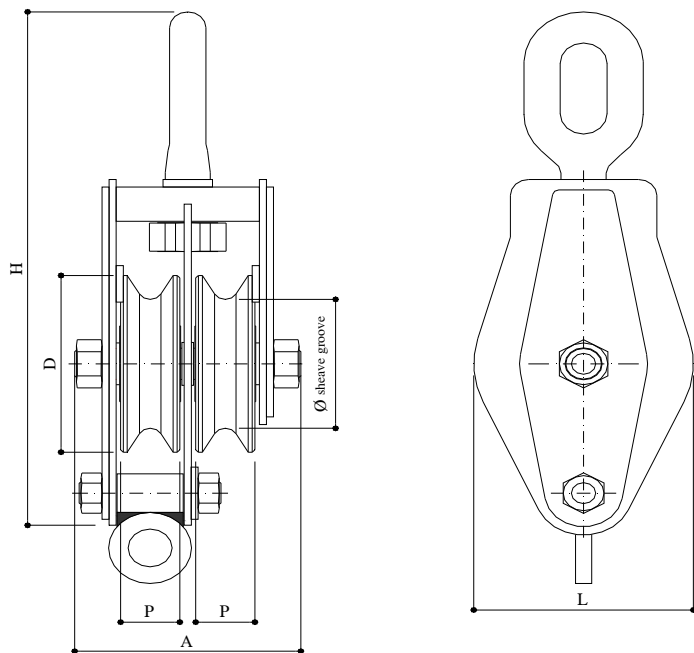
<u>SWIVEL HEAD TYPE</u>	
CA	Oval eye
CC	Round eye
H	Fork
G	Hook

Size	S.W.L. TN.	Load on beam TN.	<i>Dimensions</i>						
			<i>D</i> (Ø of the sheave)	<i>Ø sheave groove</i>	<i>Ø Max. wire</i>	<i>A</i>	<i>H</i>	<i>L</i>	<i>P</i>
10	1	3	130	96	12	114	385	135	56
20	2	6	170	130	16	141	487	179	58
30	3	10	233	170	20	167	617	240	69
40	5	16	280	230	26	197	780	285	80
50	8	24	360	306	32	240	920	365	81



DOUBLE TACKLE BLOCKS WITH BECKET

Series: LAD-A



*Mounted on bearing.

*Solid sheave.



For orders, specify:

- Denomination
- Series
- Size
- Swivel head type

E.g.: Tackle block LAD-A 40 CA

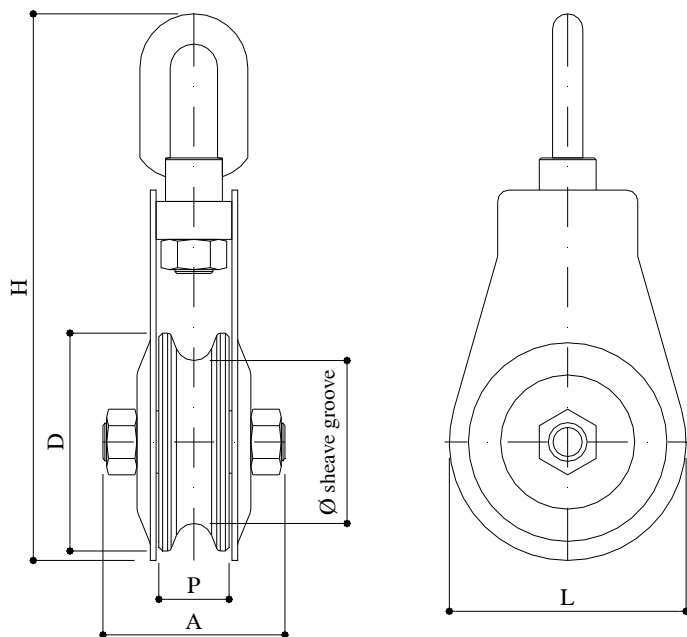
<u>SWIVEL HEAD TYPE</u>	
CA	Oval eye
CC	Round eye
H	Fork
G	Hook

Size	S.W.L. TN.	Load on beam TN.	<i>Dimensions</i>						
			<i>D</i> (Ø of the sheave)	<i>Ø sheave</i> groove	<i>Ø</i> Max. wire	<i>A</i>	<i>H</i>	<i>L</i>	<i>P</i>
10	1	5	130	96	12	180	372	135	56
20	2	10	170	130	16	214	487	179	58
30	3	15	233	170	20	256	617	240	69
40	5	25	280	230	26	297	774	285	80
50	8	40	360	306	32	356	920	365	81



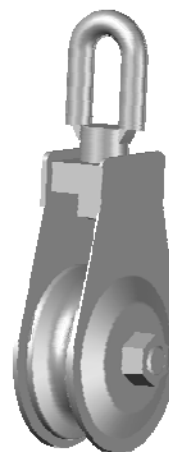
TACKLE BLOCKS STAINLESS

Series: LI



*Mounted on bearing.

*Solid sheave.



For orders, specify:

- Denomination
- Series
- Size
- Swivel head type

<i>SWIVEL HEAD TYPE</i>	
CA	Oval eye
CO	Round eye

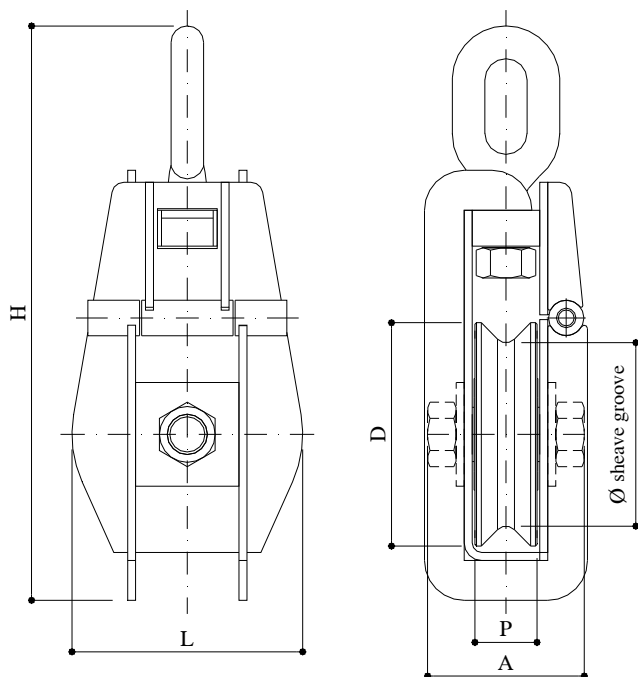
E.g.: Tackle block stainless LI 20 CA

Size	Load on beam Kg.	<i>Dimensions</i>					
		<i>D</i> (Ø of the sheave)	<i>Ø</i> sheave groove	<i>A</i>	<i>H</i>	<i>L</i>	<i>P</i>
10	500	80	60	72	193	90	29
20	1000	115	86	96	280	125	37
30	2000	150	170	134	354	160	45



RETURN TACKLE BLOCKS

Series: RE



*Mounted on bearing.

*Solid sheave.



For orders, specify:

- Denomination
- Series
- Size
- Swivel head type

E.g.: Return tackle block RE 20 CA

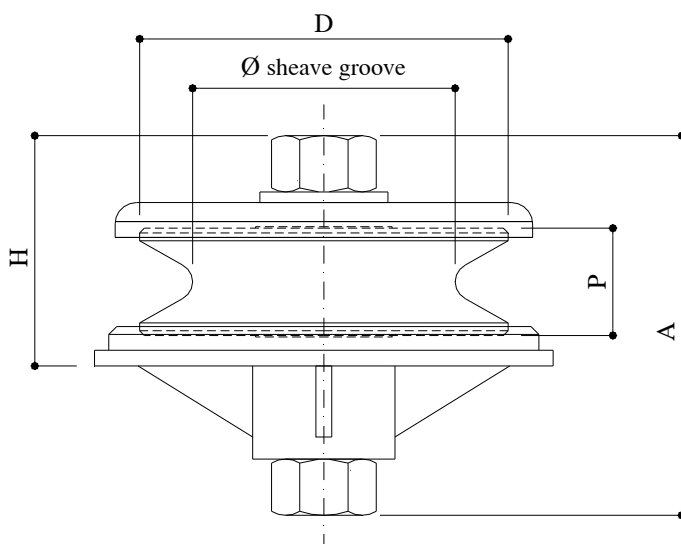
<u>SWIVEL HEAD TYPE</u>	
CA	Oval eye
CC	Round eye
H	Fork
G	Hook

Size	S.W.L. TN.	Load on beam TN.	<i>Dimensions</i>						
			<i>D</i> (Ø of the sheave)	<i>Ø sheave groove</i>	<i>Ø</i> <i>Max. wire</i>	<i>A</i>	<i>H</i>	<i>L</i>	<i>P</i>
10	1	2	130	96	12	114	364	154	56
20	2	4	170	130	16	141	492	176	58
30	4	8	233	170	20	167	623	243	69
40	8	16	280	230	26	197	720	290	80
50	12	24	360	306	32	240	890	370	81



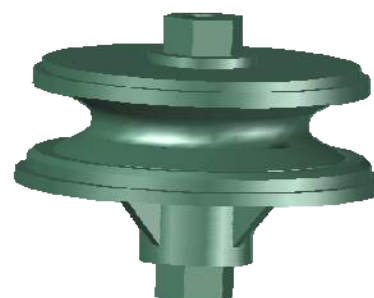
FAIRLEAD TACKLE BLOCKS (horizontal)

Series: TL



**Mounted on bearing.*

**Solid sheave.*



For orders, specify:

- Denomination
- Series
- Size

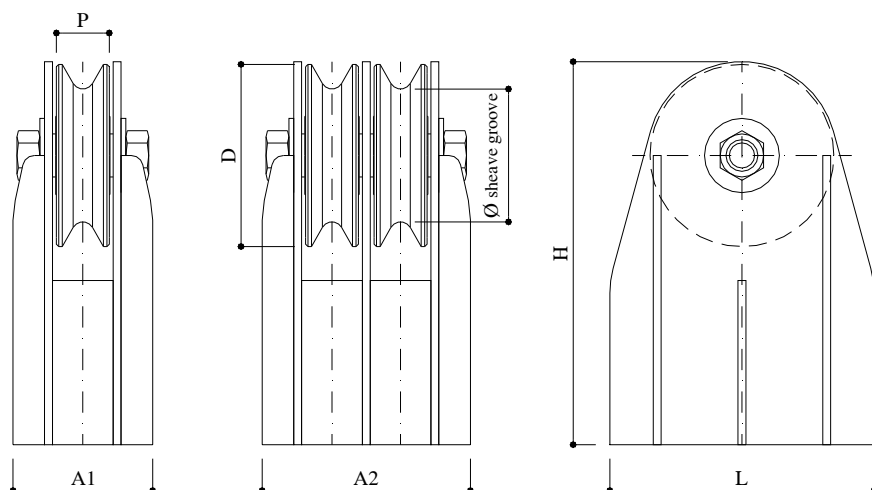
E.g.: Fairlead tackle block TL 20

Size	S.W.L. TN.	Dimensions					
		D (Ø of the sheave)	Ø sheave groove	Ø Max. wire	A	H	P
10	1	130	96	12	195	125	56
20	2	170	130	16	220	150	58
30	4	233	170	20	224	135	69
40	8	280	230	26	263	157	80
50	12	360	306	32	331	188	81



FAIRLEAD TACKLE BLOCKS (vertical)

Series: AL



**Mounted on bearing.*

**Solid sheave.*



For orders, specify:

- Denomination
- Series
- Size

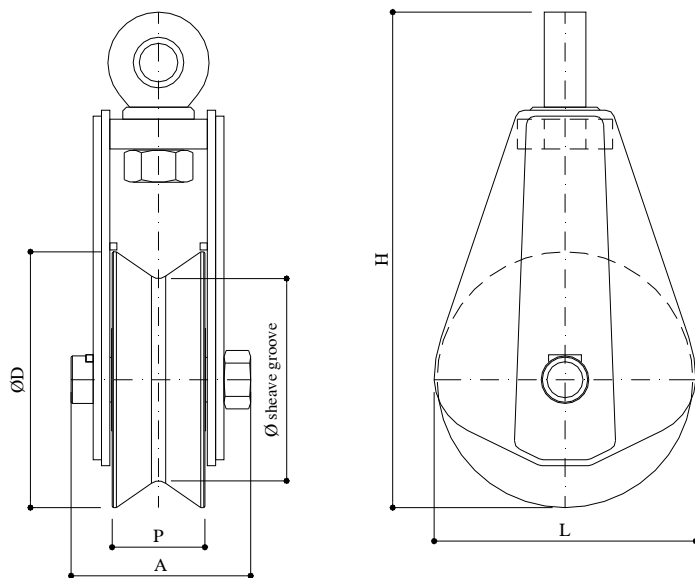
E.g.: Fairlead tackle block AL 20

Size	S.W.L. TN.	Dimensions							
		D (Ø of the sheave)	Ø sheave groove	Ø Max. wire	A1	A2	H	L	P
10	1	130	96	12	110	185	320	220	56
20	2	170	130	16	150	225	370	260	58
30	4	233	170	20	177	264	470	335	69
40	8	280	230	26	215	312	620	405	80
50	12	360	306	32	255	369	805	505	81



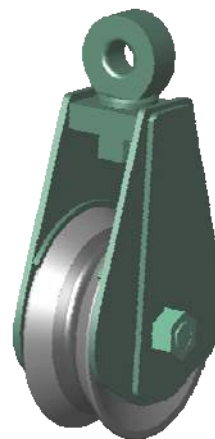
TRAWL BLOCKS

Series: PC



**Mounted on bearing.*

**Solid sheave.*



For orders, specify:

- Denomination
- Series
- Size

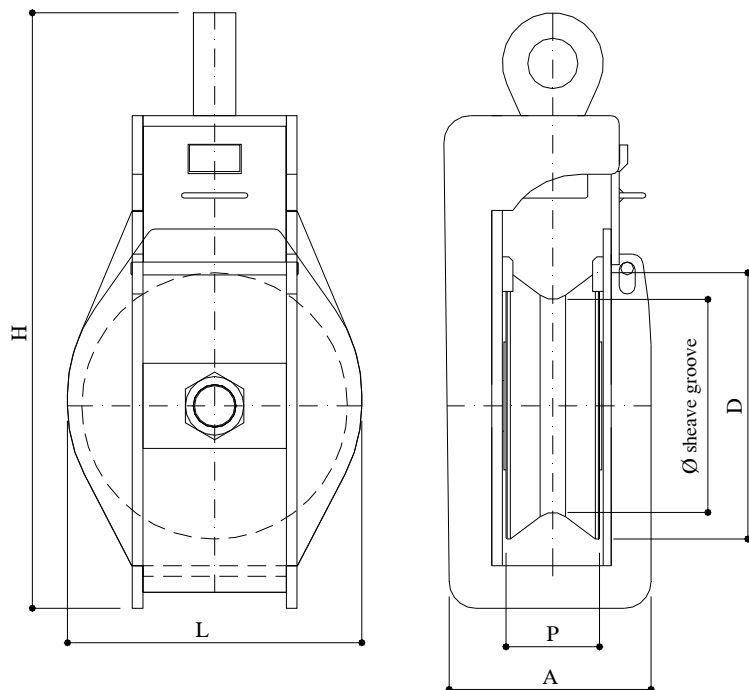
E.g.: Trawl block PC 30

Size	S.W.L. TN.	Load on beam TN.	Dimensions						
			D (Ø of the sheave)	Ø sheave groove	Ø Max. wire	A	H	L	P
00	5	10	270	195	15	260	613	270	136
10	10	20	350	265	18	282	709	355	138
20	16	32	430	340	22	307	833	440	158
30	25	50	500	400	26	374	978	530	168
40	40	80	635	490	32	427	1230	695	205



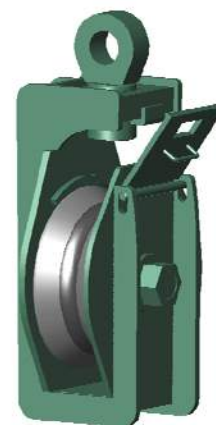
TRAWL BLOCKS OPEN

Series: PA



**Mounted on bearing.*

**Solid sheave.*



For orders, specify:

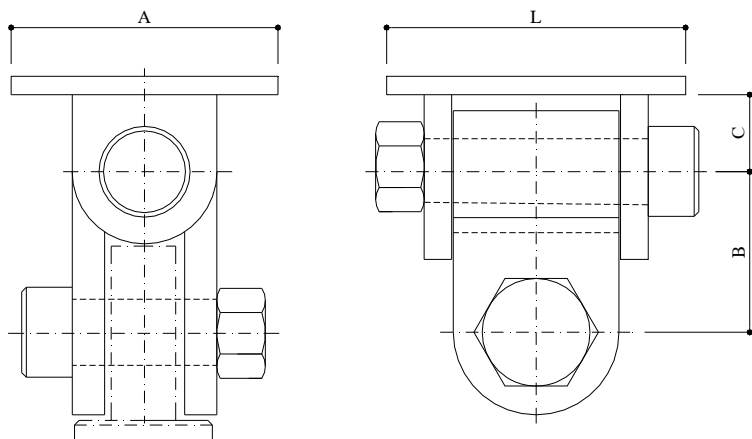
- Denomination
- Series
- Size

E.g.: Trawl block open PA 30

Size	S.W.L. TN.	Load on beam TN.	Dimensions						
			D (Ø of the sheave)	Ø sheave groove	Ø Max. wire	A	H	L	P
00	5	10	270	195	15	270	696	300	136
10	10	20	350	265	18	299	844	400	138
20	16	32	430	340	22	329	970	484	158
30	25	50	500	400	26	390	1113	554	168
40	40	80	635	490	32	530	1310	690	205



Hinge suspension
Series: SA



**Mounted on bronze.*



For orders, specify:

- Denomination
- Series
- Size

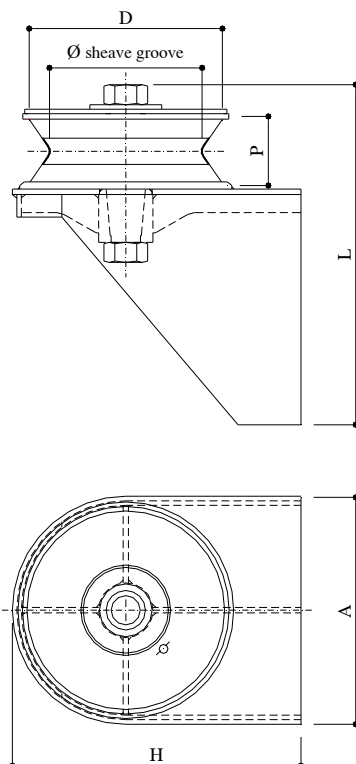
E.g.: Hinge suspension SA 20

Size	Load on beam TN.	Dimensions			
		A	L	B	C
00	10	200	230	152	67
10	20	215	260	157	72
20	32	215	260	157	72
30	50	295	330	185	85
40	80	300	330	198	100



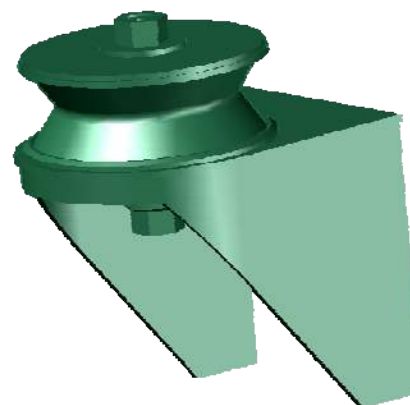
GUIDING FRAME

Series: TM



**Mounted on bearing.*

**Solid sheave.*



For orders, specify:

- Denomination
- Series
- Size

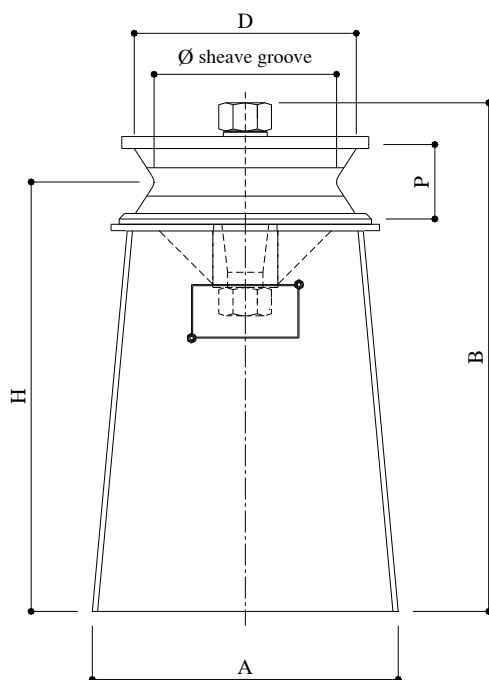
E.g.: Guidin frame TM 20

Size	S.W.L. TN.	Dimensions						
		D (Ø of the sheave)	Ø sheave groove	Ø Max. wire	A	H	L	P
00	5	270	220	15	330	405	528	136
10	10	350	265	18	425	525	655	138
20	16	430	340	22	505	643	752	158
30	25	500	400	26	605	725	803	168
40	40	635	490	32	735	865	1125	205



GUIDING BASE

Series: TG



**Mounted on bearing.*

**Solid sheave.*



For orders, specify:

- Denomination
- Series
- Size

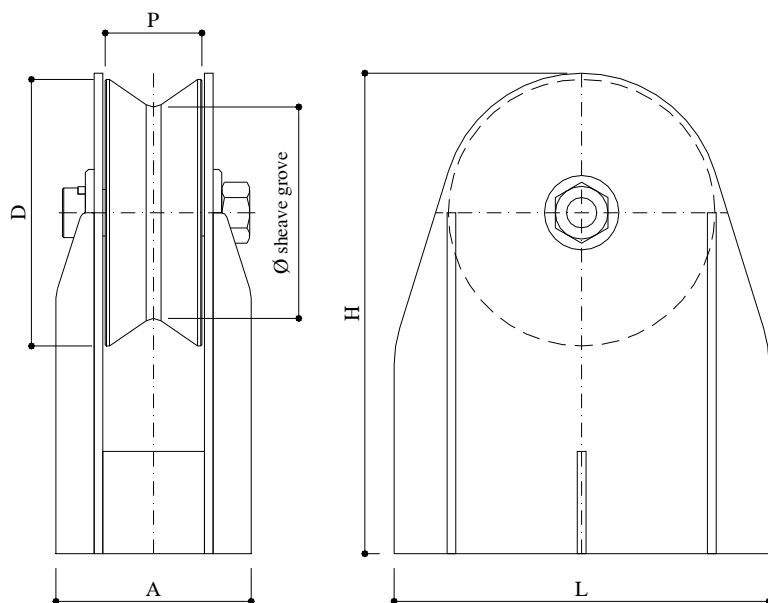
E.g.: Guiding base TG 20

Size	S.W.L. TN.	Dimensions						
		D (Ø of the sheave)	Ø sheave groove	Ø Max. wire	A	H	B	P
00	5	270	220	15	a/ H	a/ to order	a/ H	136
10	10	350	265	18	a/ H	a/ to order	a/ H	138
20	16	430	340	22	a/ H	a/ to order	a/ H	158
30	25	500	400	26	a/ H	a/ to order	a/ H	168
40	40	635	490	32	a/ H	a/ to order	a/ H	205



FAIRLEAD TRAWL BLOCKS

Series: AG



**Mounted on bearing.*

**Solid sheave.*



For orders, specify:

- Denomination
- Series
- Size

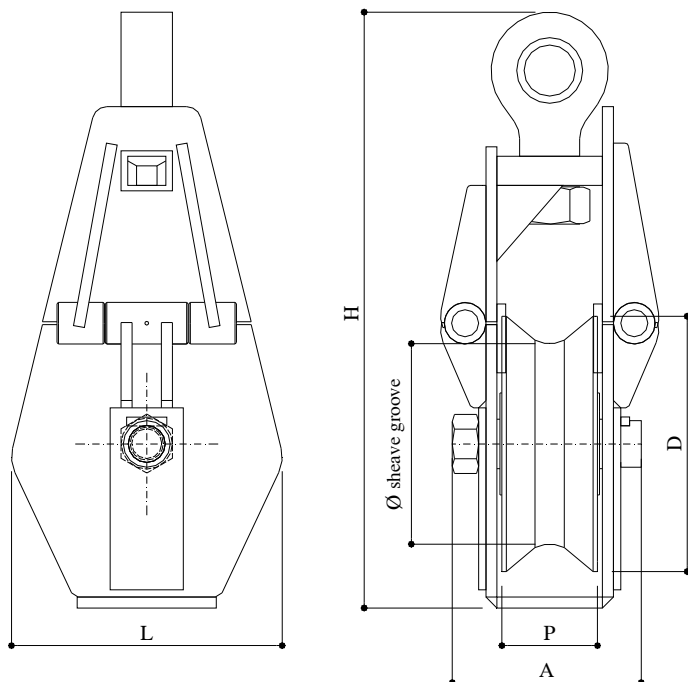
E.g.: Fairlead trawl block AG 20

Size	S.W.L. TN.	Dimensions						
		D (Ø of the sheave)	Ø sheave groove	Ø Max. wire	A	H	L	P
00	5	270	220	15	275	480	410	136
10	10	350	265	18	248	615	495	138
20	16	430	340	22	315	775	605	158
30	25	500	400	26	338	900	700	168
40	40	635	490	32	422	1153	875	205



SNATCH OUTRIGGER BLOCKS

Series: DT



**Mounted on bearing.*

**Solid sheave.*



For orders, specify:

- Denomination
- Series
- Size

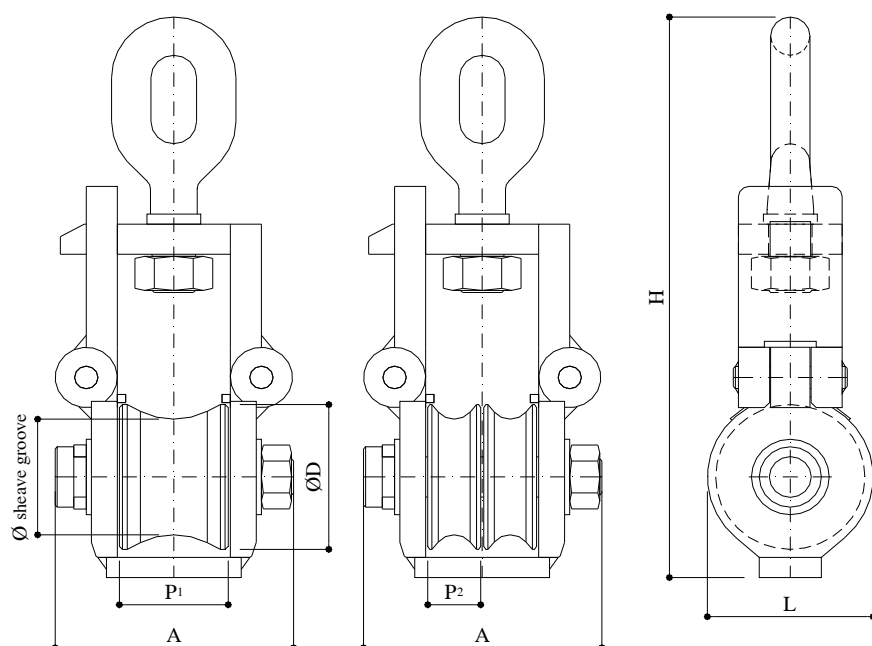
E.g.: Snatch outrigger block DT 10

Size	S.W.L. TN.	Load on beam TN.	Dimensions						
			D (Ø of the sheave)	Ø sheave groove	Ø Max. wire	A	H	L	P
01	3	6	180	135	14	216	568	196	118
00	5	10	270	195	18	258	702	295	136
10	10	20	350	275	22	258	817	370	136



SNATCH BLOCKS

Series: DR



*Mounted on bearing.

*Solid sheave.



For orders, specify:

- Denomination
- Series
- Size
- 1 sheave or 2 sheaves

E.g.: Snatch block DR 10 1 sheve

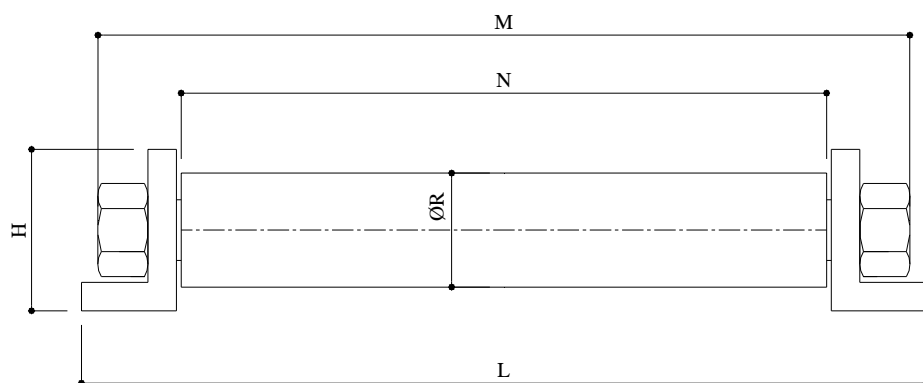
Size	S.W.L. TN.	Load on beam TN.	Dimensions							
			D (Ø of the sheave)	Ø sheave groove	Ø Max. wire	A	H	L	P1	P2
10	3	6	144	115	22	230	558	160	105	51
20	3	6	144	115	22	262	558	160	137	-



HORIZONTAL ROLLER

Series: RH

**Mounted on bearing.*



Dimensions

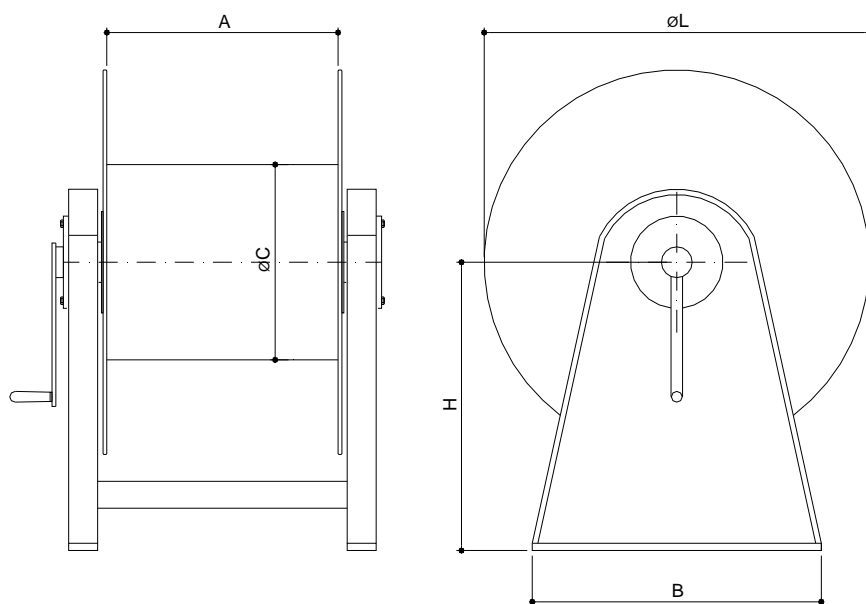
<i>R</i>	<i>H</i>	<i>N</i>	<i>L</i>
according to order	according to order	according to order	N + 600



WIRE REEL

Series: CC

**Manual drive.*



For orders, specify:

- Ø of wire
- Series
- Size

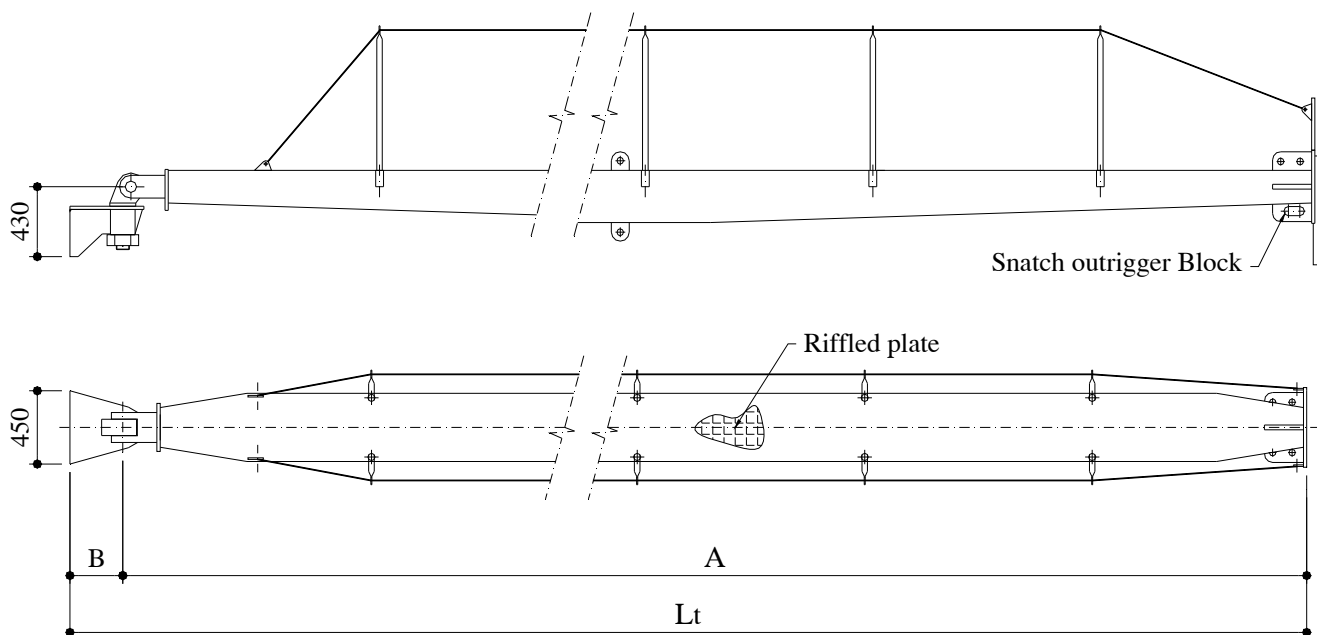
E.g.: Wire reel Ø22 CC 10

Size	Ø Max. wire	Capacity mts.	Dimensions				
			Ø C	Ø L	A	H	B
10	22	180	355	720	610	640	700
20	33	200	357	920	810	640	700
30	45	250	508	1120	910	750	700



OUTRIGGER

Series: TA



For orders, specify:

- Units
- Length

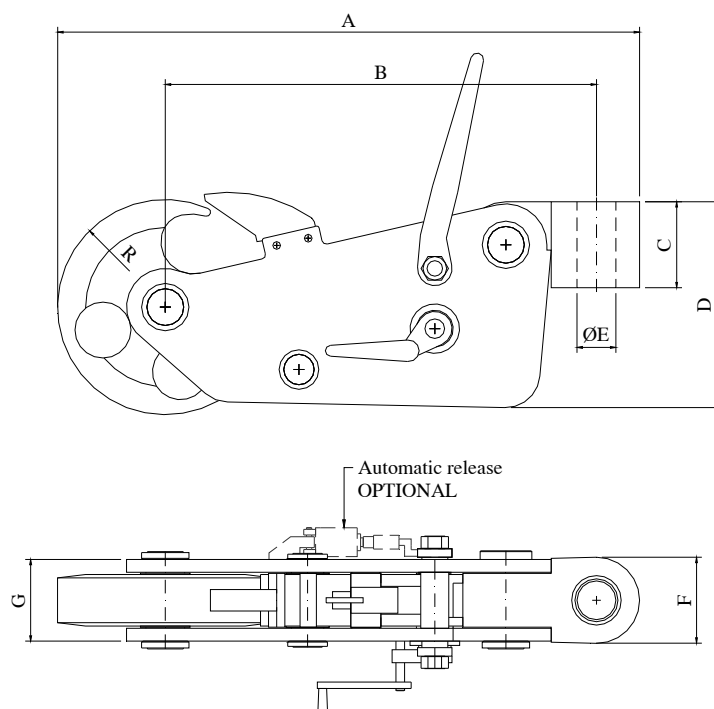
E.g.: Outrigger of 10m

<i>Dimensions</i>		
<i>A</i>	<i>B</i>	<i>Lt</i>
according to order	375	A+B



TOWING HOOK

Series: GR



For orders, specify:

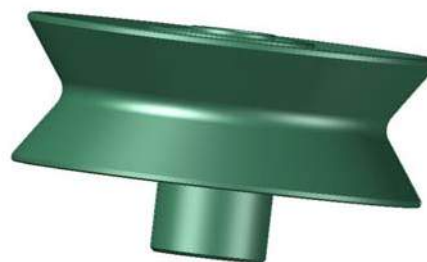
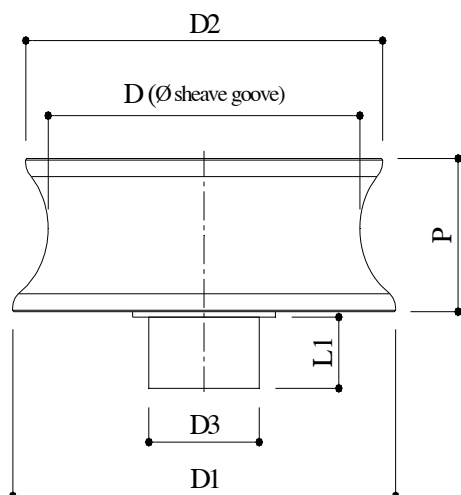
- Denomination
- Series
- Size

E.g.: Towing hook GR 16

Size	Workload TN	Dimensions							
		A	B	C	D	E	F	G	R
GR 4	4	570	415	90	205	40	86	78	110
GR 8	8	728	533	110	258	48	110	100	140
GR 16	16	975	720	145	345	65	145	140	180
GR 25	25	1250	940	180	440	80	180	170	235
GR 35	35	1350	1000	200	478	90	200	190	250
GR 50	50	1510	1120	220	535	100	225	215	280
GR 70	70	1645	1220	240	585	120	260	250	310
GR 100	100	1785	1320	280	630	140	290	285	335
GR 130	130	1920	1420	300	680	160	320	310	360



ROLLERS
Series: RO-DIN 81906



For orders, specify:

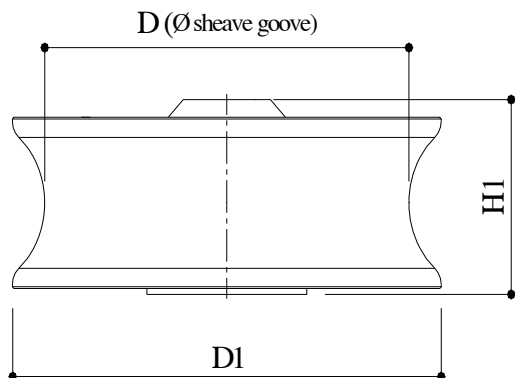
- Denomination
- Series
- Size
- Optional: conical, cylindrical and inclined pedestal.

E.g.: Roller RO-DIN 81906-250.

Size	S.W.L. TN.	Dimensions					
		D Ø sheave groove	D1	D2	D3	P	L1
200	2	200	265	245	70	102	50
250	3	250	330	300	85	126	50
320	5	320	420	390	106	160	50
400	8	400	530	490	125	208	60
450	12	450	610	560	160	256	85
500	20	500	640	620	190	278	100
560	32	560	780	740	230	348	150



ROLLERS
Series: RO-NS 2585



For orders, specify:

- Denomination
- Series
- Size
- Optional: conical, cylindrical and inclined pedestal.

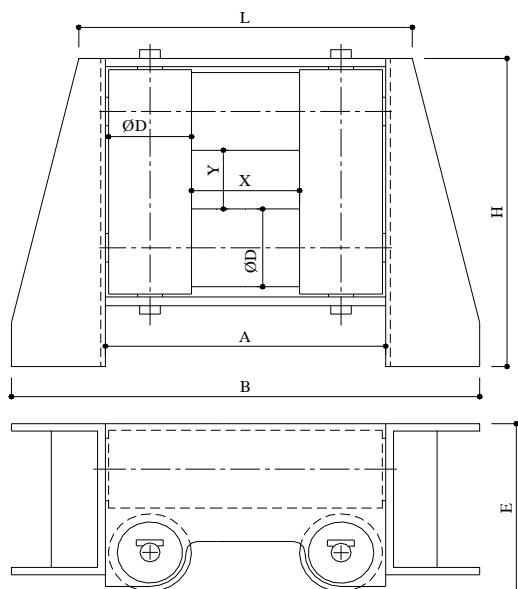
E.g.: Roller RO- NS 2585-250.

Size	Breaking Load. TN.	Dimensions		
		D Ø sheave groove	D1	H1
150	15.5	150	240	154
200	19.5	200	310	186
250	28	250	380	230
300	33	300	440	355
350	44	350	500	271
400	57	400	560	307
450	63	450	630	316



FAIRLEADS

Series: FA



For orders, specify:

- Denomination
- Series
- Size
- Optional: Simple or double, right or left version under customer requirements.

E.g.: Fairleads FA 12.

Size	Nominal pull TN.	Dimensions							
		Rope Ø	A	B	D	E	H	L	X x Y
02	2	22	356	650	80	170	456	446	180x100
03	3	28	446	800	100	210	571	546	230x130
05	5	36	506	900	120	250	656	626	250x130
08	8	48	576	1000	140	288	726	716	280x160
12	12	60	676	1200	180	366	852	836	300x160
20	20	78	830	1350	245	500	1035	1030	320x180
32	32	96	1016	1700	300	610	1260	1236	400x250



C/Parroquia de Guísamo, Parcela B-17, nave 1
15165 Polígono Industrial Bergondo-La Coruña (Spain)
Telf. +34 981 900 044
info@jlcarral.com||www.jlcarral.com